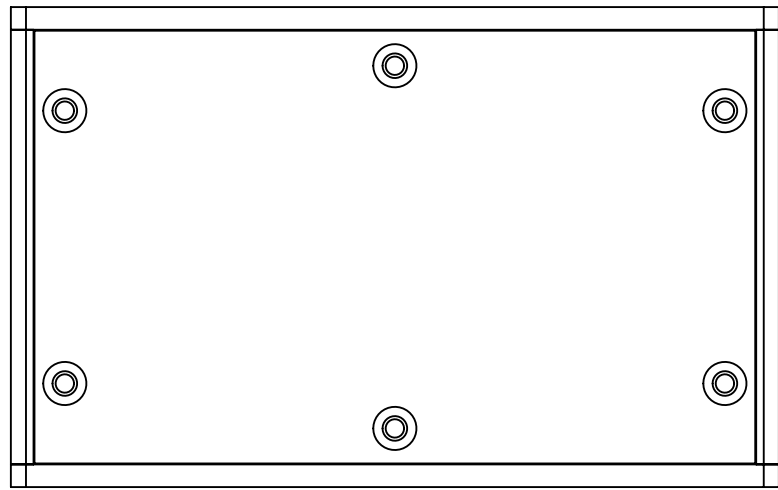


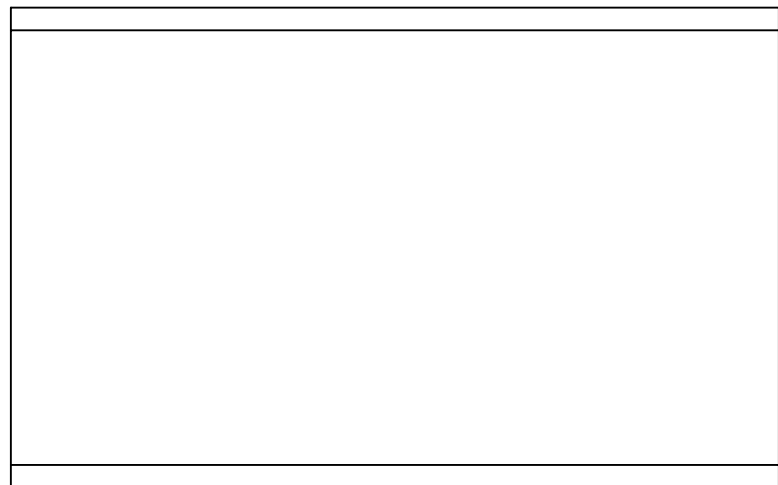
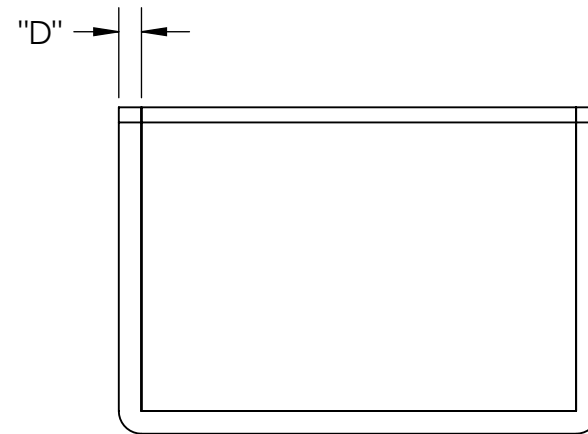
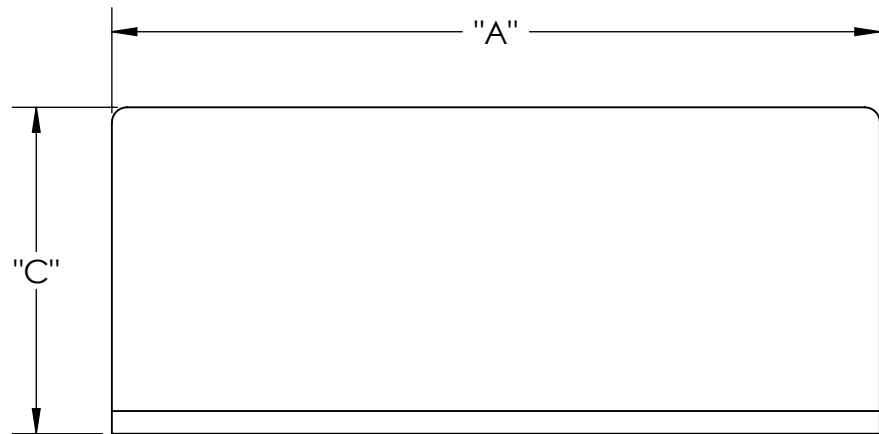
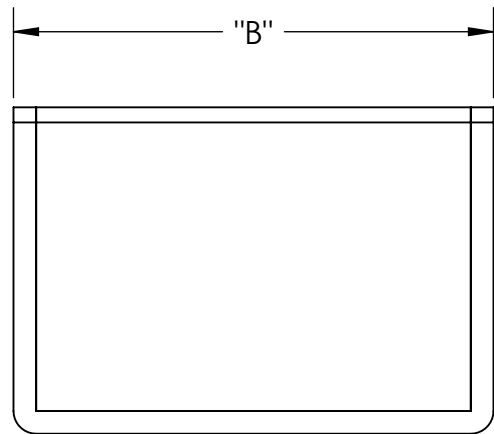
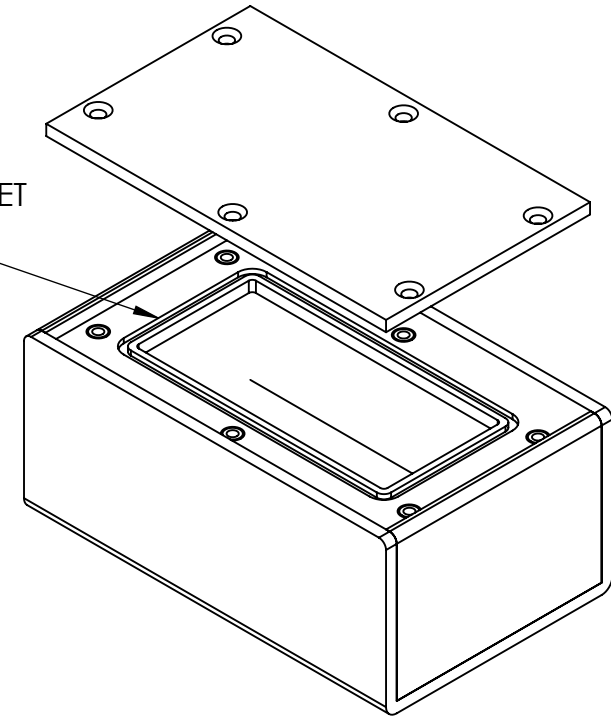
8	7	6	5	4	3	2	1			
MATERIAL TYPE (ABS, HIPS, ETC)	COLOR (BLACK, GRAY, ETC)	"A" BOX LENGTH	"B" BOX DEPTH	"C" BOX HEIGHT	"D" BOX MATL THICK (3mm, 4mm)	UL FLAME RATING (HB, VO, ETC)	UV COATING (OUTDOOR USE) (YES/NO)	EMI COATING INSIDE (SHIELDING)	PCB STANDOFF QUANTITY	SILKSCREENING REQUIRED

D
C
B
A

D
C
B
A



OPTIONAL GASKET GROOVE



NOTE: COMPLETE ALL TAB INFORMATION AT TOP OF DRAWING & SKETCH APPROX HOLES ON BOX.

ENVISION KB #	UNLESS OTHERWISE SPECIFIED DIMENSIONS ARE IN INCHES TOLERANCES ARE:		ENVISION PLASTICS & DESIGN	
	FRACTIONS	DECIMALS	ANGLES	BOX QUOTE WORKSHEET
CAD GENERATED DRAWING, DO NOT MANUALLY UPDATE DO NOT SCALE DRAWING	CBW	DATE	SCREW DOWN LID ENCLOSURE	
		10/7/10	SIZE	DWG. NO.
APPLICATION	MATL: PLASTIC FINISH: TEXTURE OUTSIDE	B	SCREW_DOWN_LID_BOX	REV. -
SCALE: 1:1	CADFILE:\Engineering Files\Envision Solidworks\ENVISION\SAMPLES\WEBSITE\		SHEET 1 OF 1	

8 7 6 5 4 3 2 1